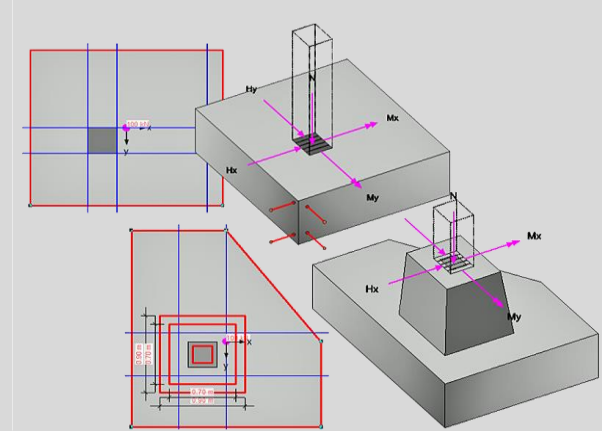


RTfooting & RTfooting EXPERT

- 11.10.205 RTfooting
- 11.11.208 RTfooting Prefab
- 11.11.209 RTfooting -Polygon
- 11.10.206 RTfooting -EXPERT

Reinforced concrete footing with options for prefab and polygon footings

- Superposition and dimensioning according to Euro norm for reinforced concrete and geotechnical engineering with NAs for DE, AT, SK/CZ
- Dimensioning according to old standards supports "building in existing structures"
- Dimensioning of quiver and block foundations with generation of the reinforcement plan
- Punching through, position, base fracture and slip resistance verification also for polygonal foundations
- Bending and shear design on generated or self-selected sections
- Clear program control, configuration and language selection with application of template technology

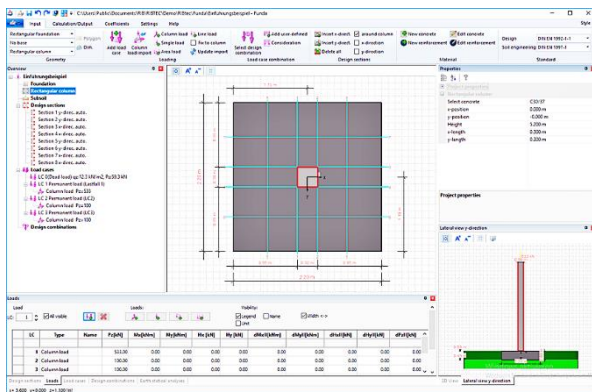


RTfooting is the RIB program for the verification of reinforced concrete footings as foundation strips, rectangular slabs and optionally as circular or polygonally bounded slabs with a graphically interactive working environment for input and output. The different footing geometry can also be combined with block and sleeve connections for the columns. Load combinations from non-linear column calculations can be transferred directly. An automatic dimensioning / manual optimization allows an economical foundation design with all geotechnical proofs.



Tel: +49 711 7873-157
 E-Mail: [structuralengineering\[at\]rib-software.com](mailto:structuralengineering[at]rib-software.com)
www.rib-software.com/structural-engineering

RIB Software GmbH
 Managing Directors: René Wolf and Tobias Hamacher
 Headquarter Stuttgart, Local Court Stuttgart HRB 783426.



RTfooting EXPERT Features

Windows® programme for the design of reinforced concrete footings as strip foundation e.g. as rectangular, circular or polygonal plate with a graphically interactive working environment for all in- and output. The different slab geometry can be combined also with block and sleeve connections of columns. There are the following input and processing options:

- graphically interactive processing of foundation plates with centric/eccentric connection of column

- graphically interactive processing of block and sleeve foundations
- graphical construction environment for the processing of polygonal slab geometries with DXF interface and tabular processing option of polygonal points
- pre-setting of a smooth / rough formwork as well as of the bond area of a sleeve design
- pre-setting of different water zones and backfillings
- input of loads in the column connection as well as arbitrary point or area loads on the slab
- column loads can be transferred from columns design and different load combinations can be preset
- automatic combination of load cases & generation of design sections
- configuration of the result list and presetting of arbitrary design sections

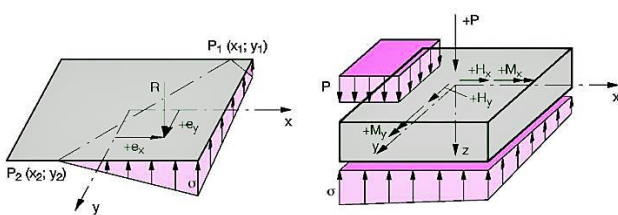
The application supports the following calculation and design methods:

- verification and dimensioning of arbitrary polygonal and strip foundation according to DIN 1045, DIN 1045-1 or EN 1992-1 with national annexes for DE, AT, SK/CZ and UK
- verification for cast in place or prefabricated foundation with rectangular or circular cross section of column and

Product Information

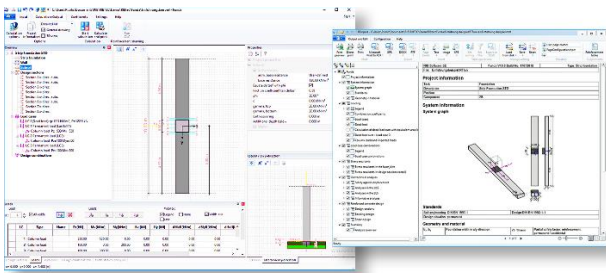
dimensioning according to DIN 1045, DIN 1045-1 or EN 1992-1 with national annexes for DE, AT, SK/CZ and UK

- reinforced concrete design for single load cases as well as load combinations
- bending and shear design of slab at generated or selected sections
- verification and dimensioning of arbitrary polygonal foundation slabs with integrated as well as superimposed sleeve or as block foundation according to DIN 1045, DIN 1045-1 or EN 1992-1 with national annexes for DE, AT, SK/CZ and UK
- punching verifications for circularly and rectangularly connected columns according to DIN 1045, DIN 1045-1 or EN 1992-1 with national annexes for DE, AT, SK/CZ and UK for arbitrary slab geometry



- soil-mechanics verifications according to DIN 1054, EN 1997-1 with national annexes for DE, AT and SK/CZ
- calculation of the soil pressures with a double eccentricity for arbitrary geometry of slab
- determination of the position of the neutral axis with a gaping joint for arbitrary geometry of slab
- verifications of the bearing capacity safety and sliding safety for arbitrary geometry of slab

A construction suggestion for the reinforcement design can be created. For rectangular foundation slabs, the reinforcement drawing can be transferred directly into ZEICON® as a ZAC macro, or in the DXF format via ZACView to any CAD system.



RTfooting Features

Windows® program for the design of reinforced concrete footings as rectangular slabs or strips with a graphically interactive working environment for all in and output.

There are the following input and processing options:

- rectangular footings with centric/excentric connection of column
- presetting of different water zones and backfillings
- input of loads in the column connection as well as arbitrary point, line or area loads on the slab
- configuration of the result list and presetting of arbitrary design sections

The application supports the following analysis and design methods:

- column loads can be transferred from columns design and different load combinations can be preset
- automatic combination of load cases & generation of design sections
- verification and dimensioning of rectangular foundation slabs and strips according to DIN 1045, DIN 1045-1 or EN 1992-1 with NADs for DE, AT, SK/CZ and UK
- reinforced concrete design for single load cases as well as load combinations
- bending and shear design of slab at generated or selected sections
- punching verifications for circularly and rectangularly connected columns
- soil-mechanics verifications according to DIN 1054, EN 1997-1 with NADs for DE, AT and SK/CZ
- calculation of the soil pressures with a double eccentricity
- determination of the position of the neutral axis with a gaping joint
- verifications of the bearing capacity safety and sliding safety

A construction suggestion for the reinforcement design can be created. For rectangular foundation slabs, the reinforcement drawing can be transferred directly into ZEICON® as a ZAC macro, or in the DXF format via ZACView to any CAD system.

Graphical Output

By preselecting the relevant information and design results, you can preset the data and save it individually with the file or by using a program template. The language for the output list report can be set independently of the language selection for the working environment.

With a preview, the list including graphics can be configured and saved for a specific office. With the interface to Word, RTprint and Bau-Text, the structural documents can be digitally further processed.

